

# SONORA®

---

STANDS STRONG



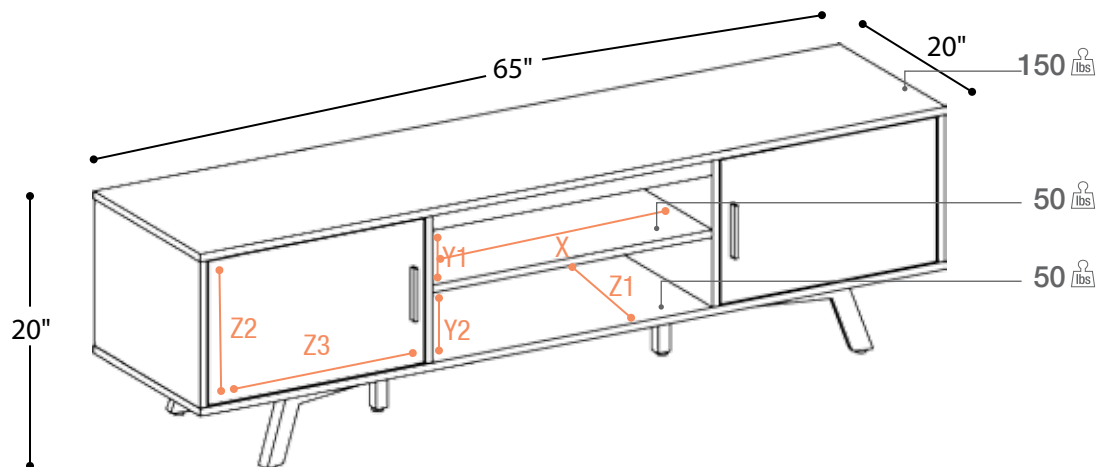
**AUDIO & VIDEO SOLUTIONS**



S40V65N 65"



S40V65MB 65"



Colour

MB

Medium Brown

N

Black

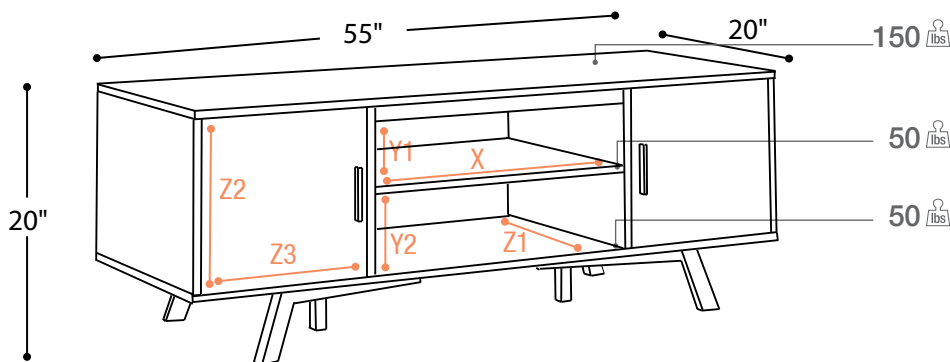
- X = 23½" Usable Shelf Width
- Y1 = 5¼" Usable Shelf Height
- Y2 = 6¼" Usable Shelf Height
- Z1 = 19¼" Usable Shelf Depth
- Z2 = 13" Usable Shelf Height
- Z3 = 19¼" Usable Shelf Width



S40V55MB 55"



S40V55N 55"



- X = 23<sup>3</sup>/<sub>4</sub>" Usable Shelf Width
- Y1 = 5<sup>1</sup>/<sub>4</sub>" Usable Shelf Height
- Y2 = 6<sup>1</sup>/<sub>4</sub>" Usable Shelf Height
- Z1 = 19<sup>1</sup>/<sub>4</sub>" Usable Shelf Depth
- Z2 = 13" Usable Shelf Height
- Z3 = 14<sup>1</sup>/<sub>4</sub>" Usable Shelf Width

Colour

**MB**  
Medium Brown

**N**  
Black

# Floor Standing or wall Mountable (All hardware included)

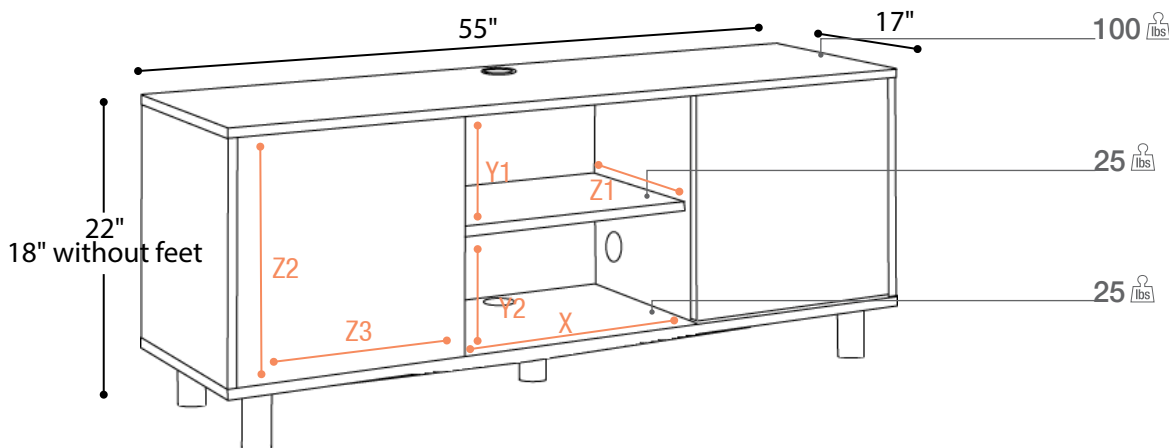


S20V55N 55"

- Sleek Modern Design
- Wall mountable or floor standing
- Wall mounting hardware included
- Two sliding doors
- Wire Management holes on Top, Bottom and sides.



S20V55MB 55



Colour



- X = 19" Usable Shelf Width
- Y1 = 8" Usable Shelf Height
- Y2 = 8" Usable Shelf Height
- Z1 = 13" Usable Shelf Depth
- Z2 = 16½" Usable Shelf Height
- Z3 = 16½" Usable Shelf Width

P4

# Floor Standing or wall Mountable (All hardware included)

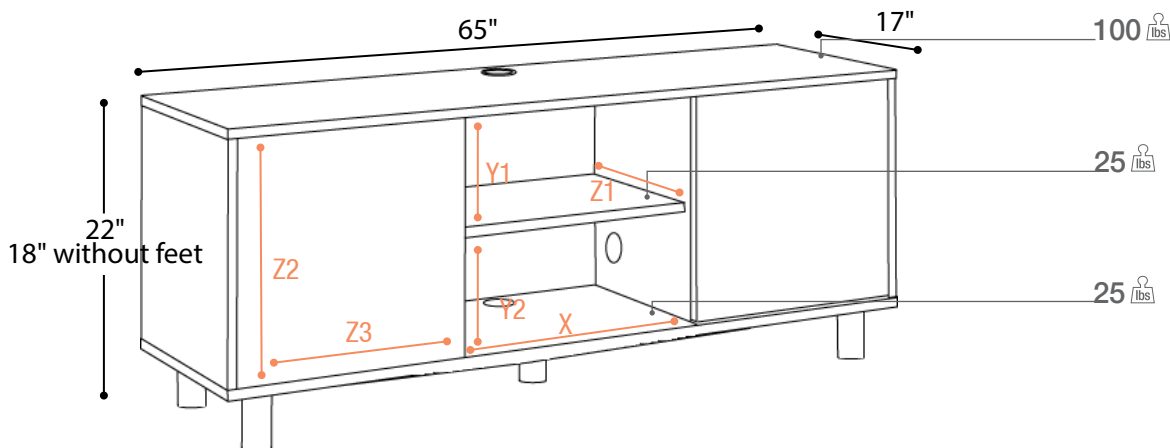


S20V65MB 65"

- Sleek Modern Design
- Wall mountable or floor standing
- Wall mounting hardware included
- Two sliding doors
- Wire Management holes on Top, Bottom and sides.



S20V65N 65



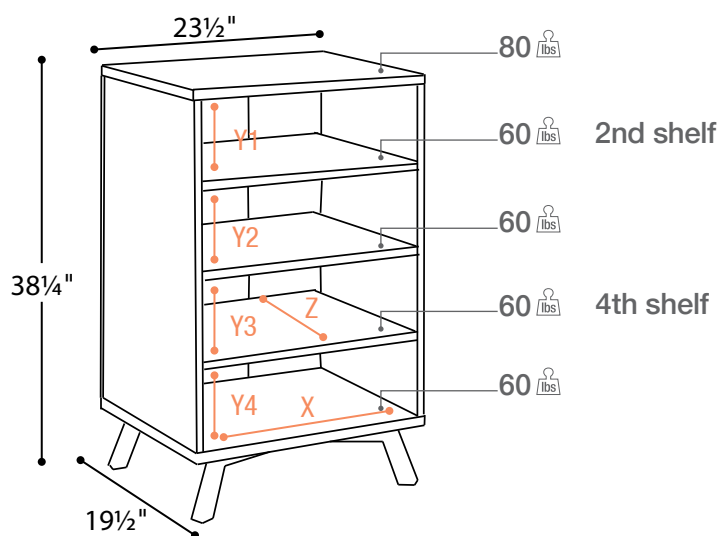
- X = 21½" Usable Shelf Width
- Y1 = 8" Usable Shelf Height
- Y2 = 8" Usable Shelf Height
- Z1 = 13" Usable Shelf Depth
- Z2 = 16½" Usable Shelf Height
- Z3 = 20½" Usable Shelf Width

Colour





S40A5MB



S40A5N

Colour

MB

Medium Brown

N

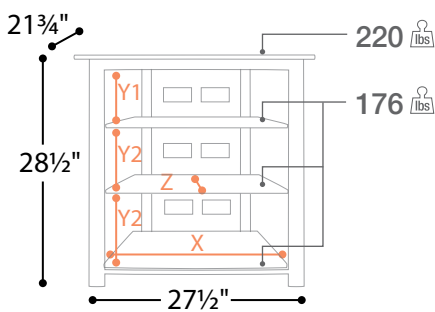
Black

2nd shelf and 4th shelf are adjustable by 1" up or down

- X = 22" Usable Shelf Width
- Y1 = 7 1/4" Usable Shelf Height
- Y2 = 7 1/4" Usable Shelf Height
- Y3 = 7 1/4" Usable Shelf Height
- Y4 = 7 1/4" Usable Shelf Height
- Z = 18 3/4" Usable Shelf Depth



- Anti-Sway Design
- Black Matte Frame
- Middle Shelves adjustable by three 1" increments
- Adjustable Leveling Feet
- Wire Management



- X = 19 1/4" Usable Shelf Width
- Y1 = 6 3/4" Usable Shelf Height
- Y2 = 7 1/2" Usable Shelf Height
- Z = 19" Usable Shelf Depth
- 6mm Shelf Thickness

Frame

N

Matte Black

Shelf

D

Dark Glass

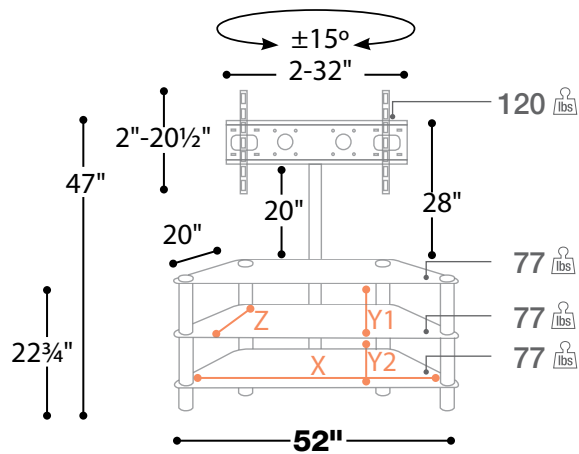


- Pedestal and Bracket Included
- Easy Swivel Function
- Tempered Black Glass Shelves
- Wire Management

VESA 100×100 to 600×400mm



175PE352-D-N 52"



- X = 46½" Usable Shelf Width
- Y1 = 7½" Usable Shelf Height
- Y2 = 10½" Usable Shelf Height
- Z = 20½" Usable Shelf Depth
- 6mm Shelf Thickness

Bracket Spec's

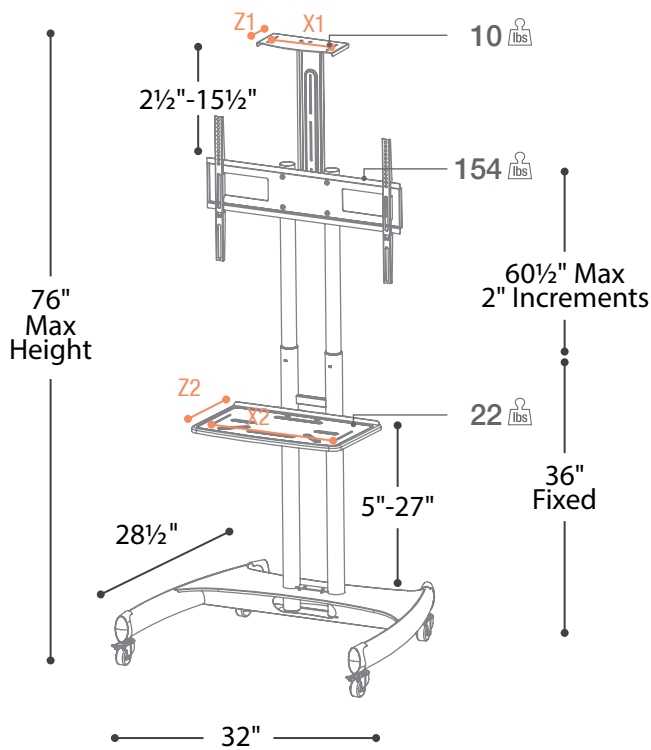
 32"+	 120 lbs	 Swivel ±15°
--	--	---

<b>Frame</b>	<b>Shelf</b>
<b>N</b> Matte Black	<b>D</b> Dark Glass




- 154 lbs Max Total Weight Bearing
- Middle Metal Shelf Adjustable from 5" to 27" from Base & Includes a Tie Down Strap
- Top Camera or Small Component Metal Shelf Can Be Adjusted from 5" to 15½" from Top of Main Post
- Main Post Adjustable from 40" to 60½" from Base
- Durable Steel Construction with Powder Coated Black Finish for a Sleek Presentation
- Cable Management
- 4 Lockable Security Wheels
- Packed in 1 Box

VESA 100×100 to 600×400mm




S95H 48"

### Bracket Spec's



**32"+**



**154 lbs**

- X1 = 10" Usable Shelf Width
- Z1 = 5" Usable Shelf Depth
- X2 = 19¾" Usable Shelf Width
- Z2 = 12" Usable Shelf Depth

### Frame

N

Black

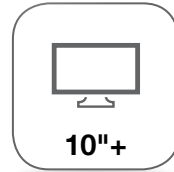
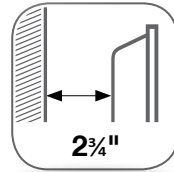
**SPA1**

- Single Stud Mount
- Pivoting Head
- Angle Free Tilting

	Swivel ±30°
	Level adjust
	Tilt +5-12°



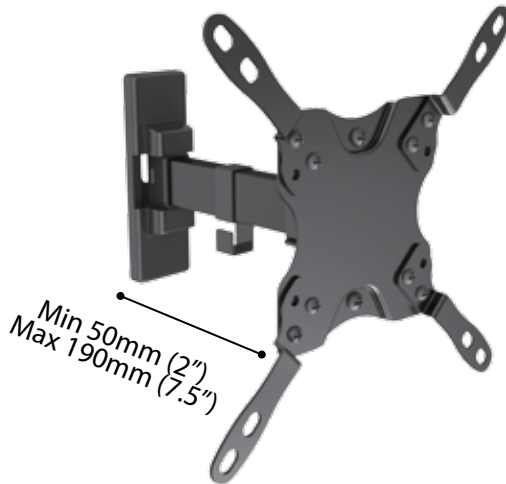
VESA 50×50 to 200×200mm



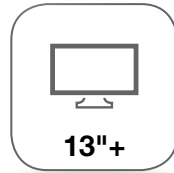
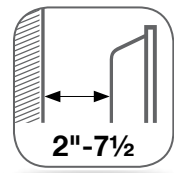
**SPA2**

- Dual Articulation Extension Arm
- Pivoting Head
- Angle Free Tilting

	Swivel ±180°
	Level adjust
	Tilt +5-12°



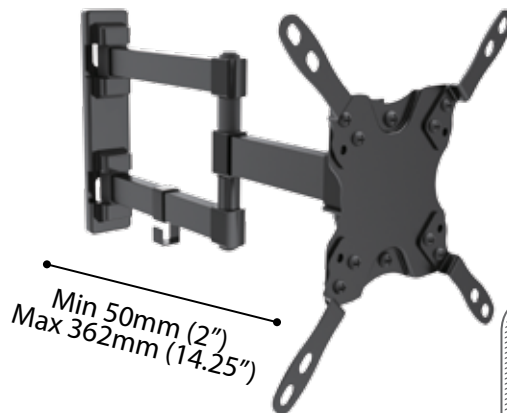
VESA 50×50 to 200×200mm



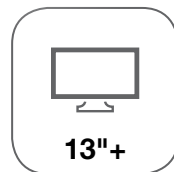
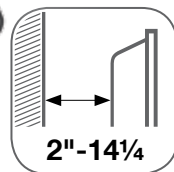
**SPA3**

- Triple Articulation Extension Arm
- Pivoting Head
- Angle Free Tilting

	Swivel ±180°
	Level adjust
	Tilt +5-12°



VESA 50×50 to 200×200mm

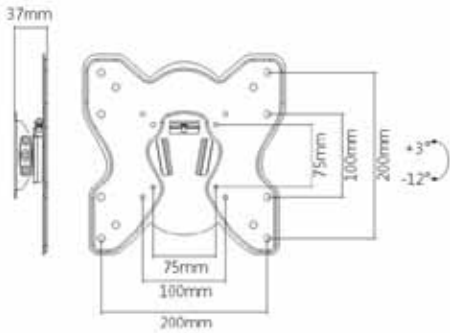


# Articulating TV Brackets

VESA 75x75 to 200x200mm

STA1

- Single-stud mount
- 1½" profile with pivoting head
- +3 -12° tilting
- VESA compliant up to 200 x 200mm
- Security locking screw
- Wire Management



Tilt  
+3-12°

1.5"

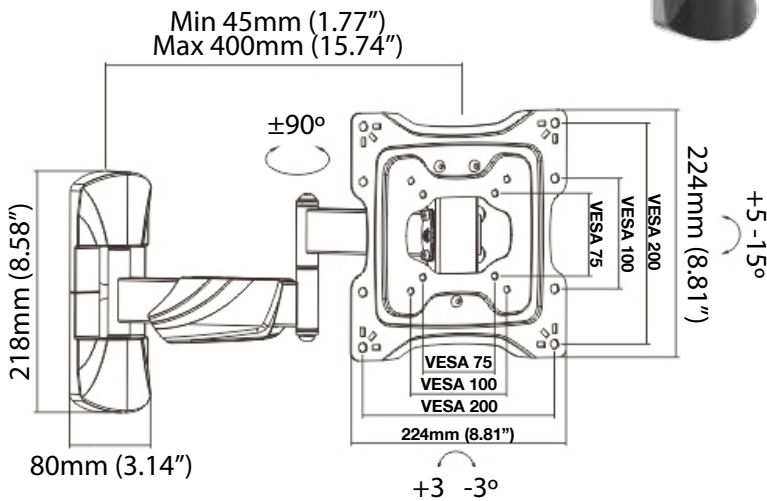
10"+

MAX  
55 lbs

VESA 75x75 to 200x200mm

SW4-22

- Tilt-Free Design: Easily adjusts for better viewing and reduced glare
- 3-point articulation: For maximum viewing
- Built-In Level Adjustment: ensures perfect positioning
- Cable Management: keeps everything organized



Swivel  
±90°  
Level adjust  
Tilt  
+5-15°

1¾"-15¾"

10"+

MAX  
55 lbs

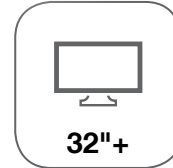
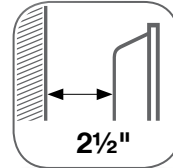
**SF144**

VESA 75x75 to 400x400 mm

- Single Stud Mount
- Single Arm Three Pivot Points
- Extends From 2½ to 16¾" from Wall
- Cable Management
- Security Locking Screw



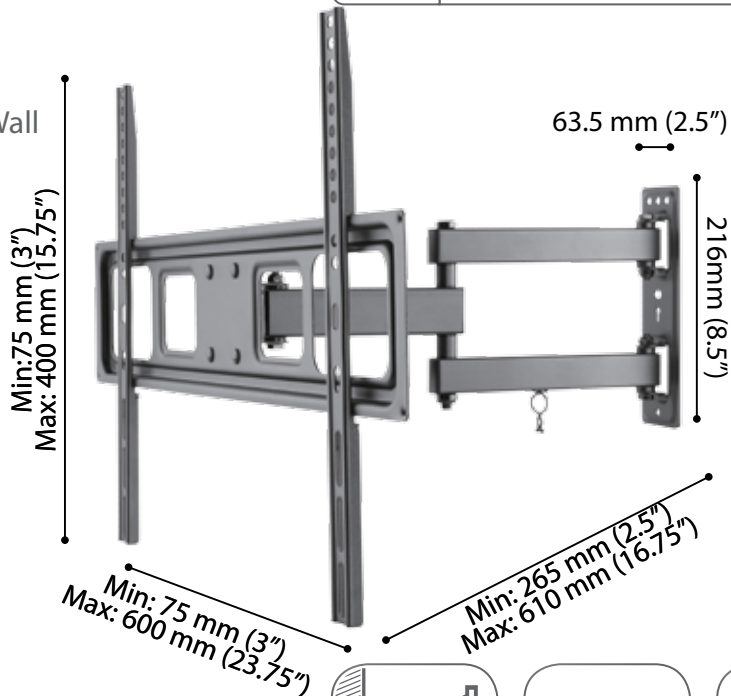
	Swivel ±180°
	± 3° Level adjust
	Tilt -15°+10°



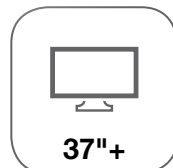
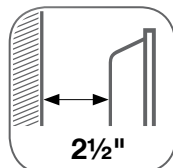
**SF164**

VESA 75x75 to 600x400 mm

- Single Stud Mount
- Single Arm Three Pivot Points
- Extends From 2½ to 16¾" from Wall
- Cable Management
- Security Locking Screw



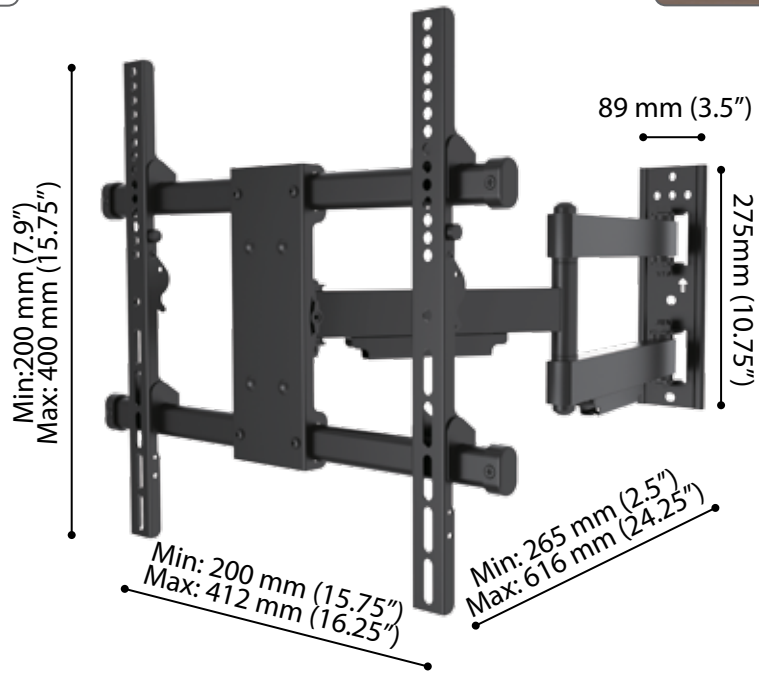
	Swivel ±180°
	± 3° Level adjust
	Tilt -15°+10°



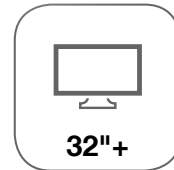
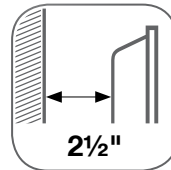
VESA 200x200 to 400x400 mm

SK144

- Single Stud Mount
- Single Arm Three Pivot Points
- Extends From 2½ to 24¼" from Wall
- Cable Management
- Security Locking Device



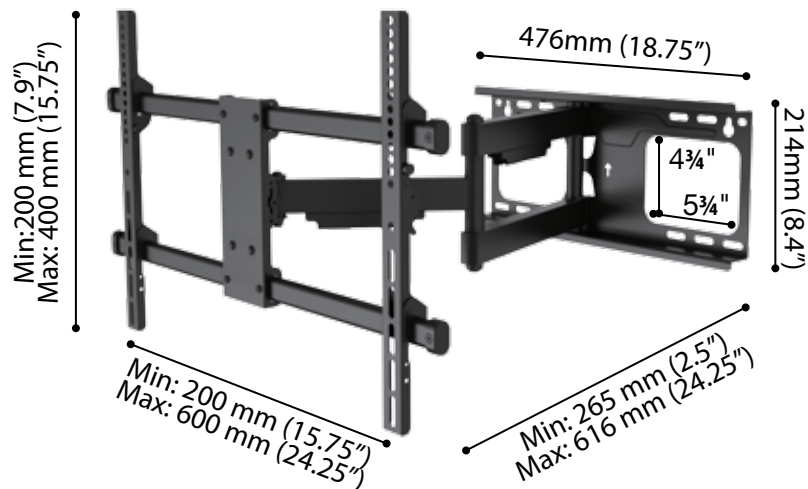
	Swivel ±180°
± 3° Level adjust	
	Tilt -5°+10°



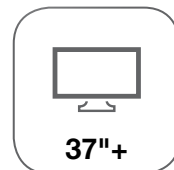
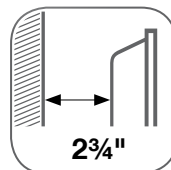
VESA 200x200 to 600x400 mm

SK164

- Single Arm Three Pivo Points
- Extends From 2½ to 24¼" from Wall
- Cable Management
- Security Locking Device



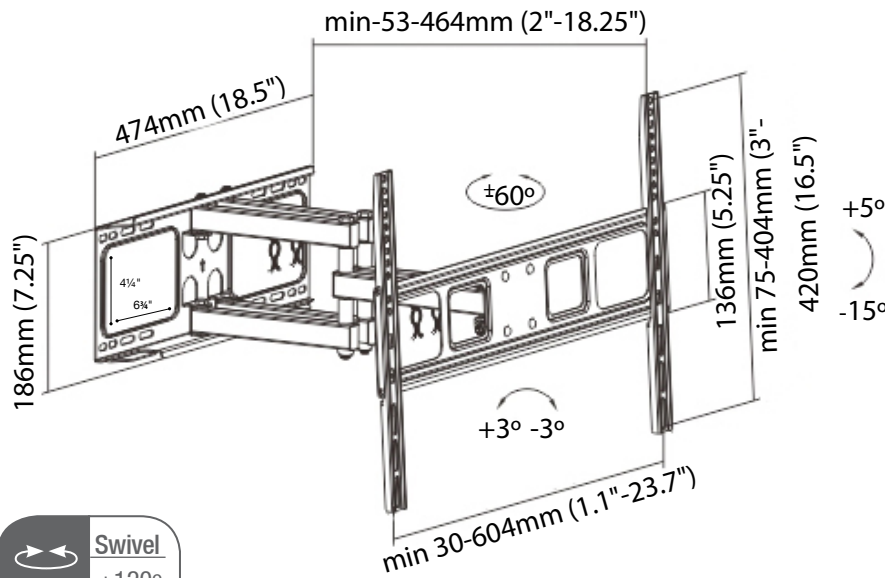
	Swivel ±180°
± 3° Level adjust	
	Tilt -5°+10°



SF264

VESA 75x75 to 600x400 mm

- Double Arm Three Pivot Points
- Extends from 2" to 18" from the Wall
- Cable Management
- Security locking screw



	Swivel ±120°
	± 3° Level adjust
	Tilt +5°-15°

2"

37"+

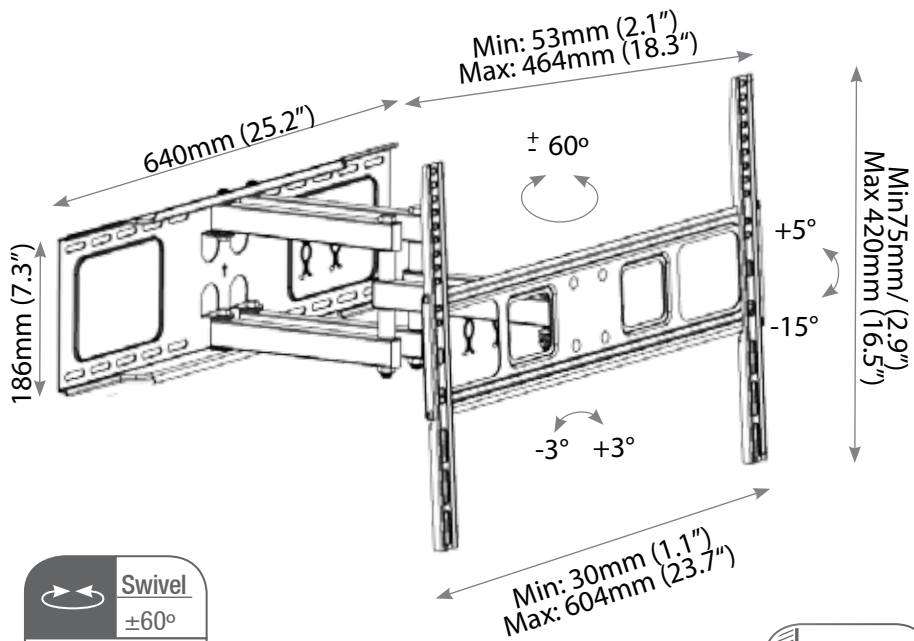
88 lbs



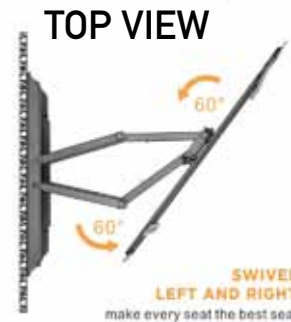
VESA 75x75 to 600x400 mm

SF264XL

- Double Arm Three Pivot Points articulation
- Mounts on 16", 20" or 24" studs
- Extends from 2" to 18" from the Wall
- Cable Management
- Security locking screw



**ADJUSTABLE DISTANCE TO WALL**  
Customize Your Best Viewing Experience



	<b>Swivel</b> $\pm 60^\circ$
	$\pm 3^\circ$ Level adjust
	<b>Tilt</b> +5°-15°

2"

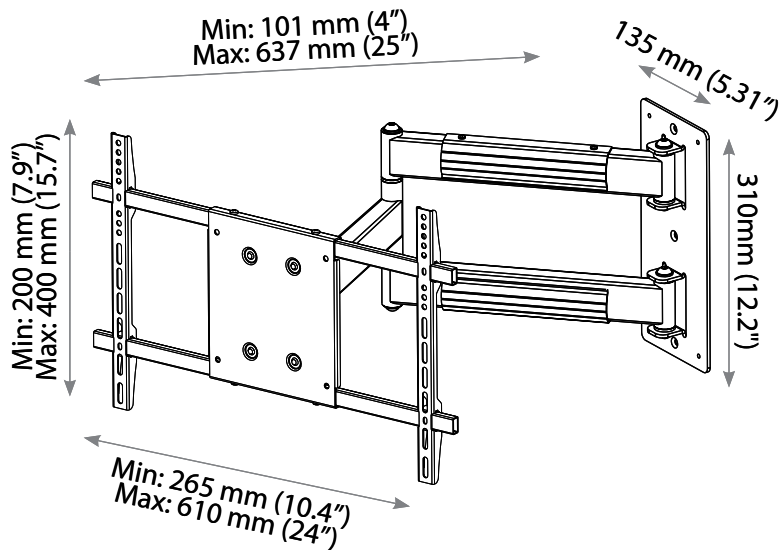
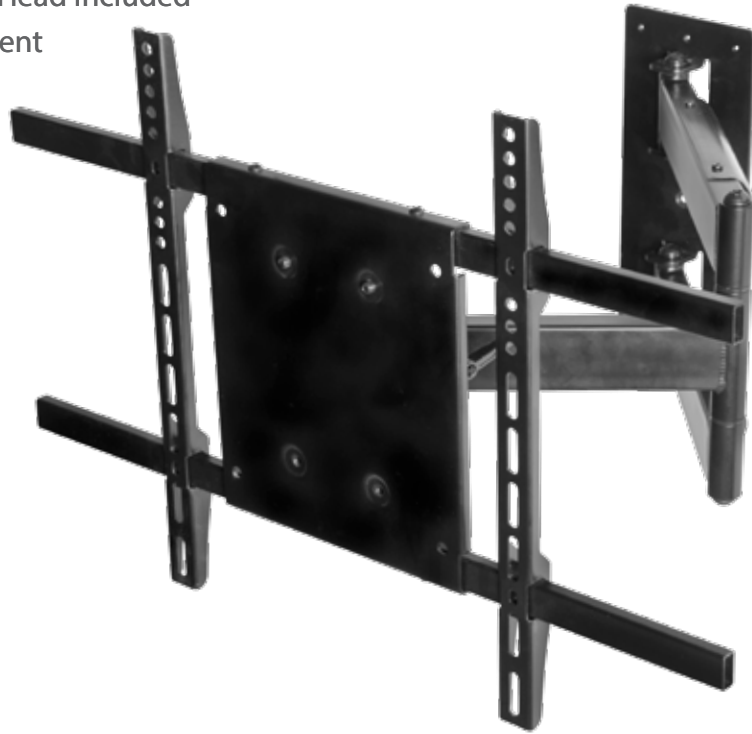
32"+

MAX  
88 lbs

SSA64

VESA 200x200 to 600x400mm

- Single Stud Mount
- Single Arm, Three Pivot Points
- 200x200 VESA Head Included
- Wire Management



	Swivel ±180°
	Level adjust
	Tilt ±15°

4"-26"

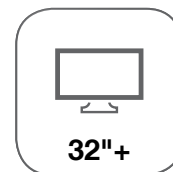
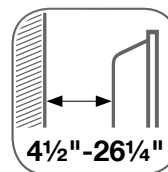
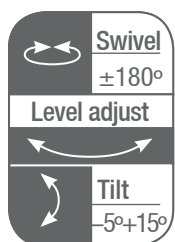
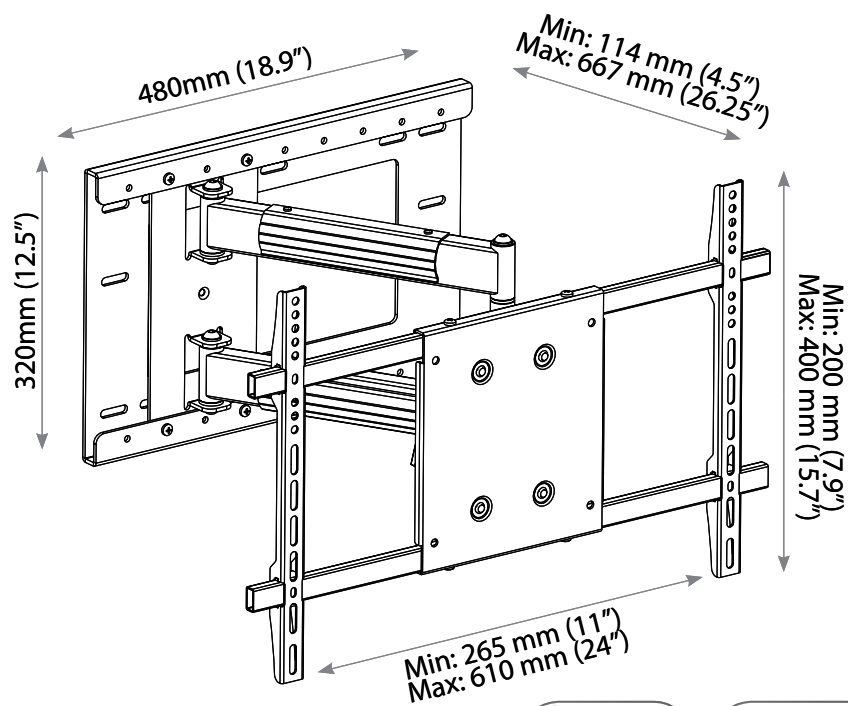
21"+

110 lbs

VESA 50x300 to 600x400mm

SAG64

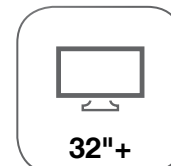
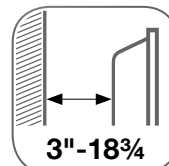
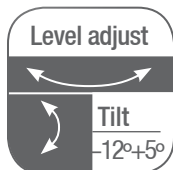
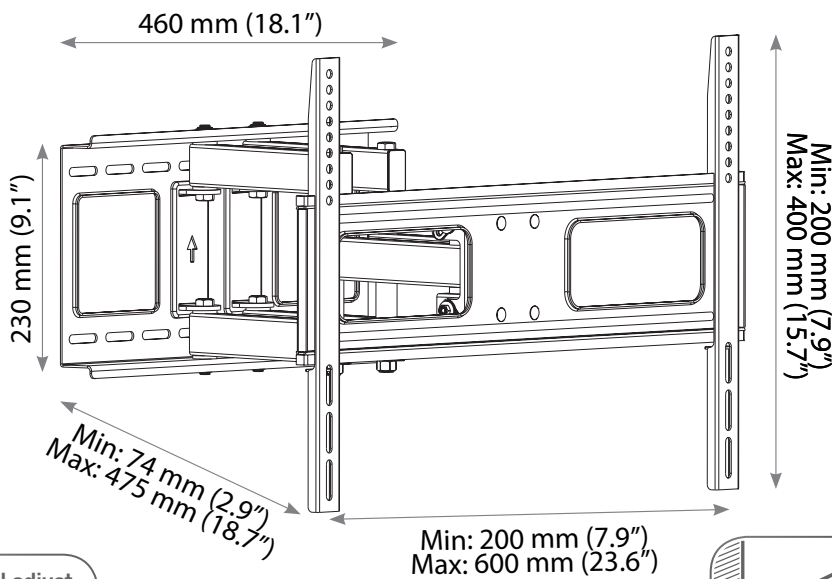
- 19" Wide Wall Plate with **7 Centering Options**
- Single Arm, Three Pivot Points
- Wire Management



SMB64

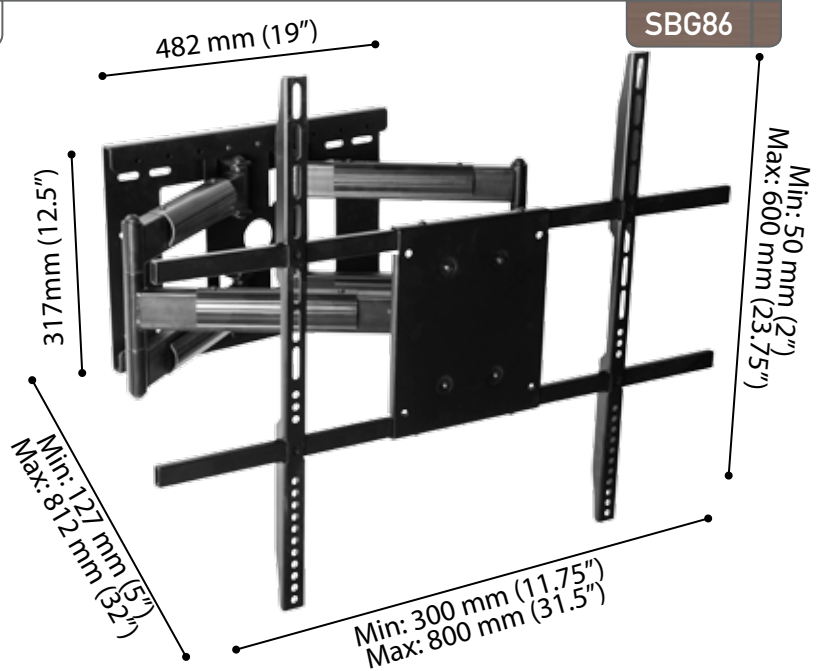
VESA 200×200 to 600×400mm

- Double Arm Three Pivot Points
- Extends from 2" to 18" from the Wall
- Cable Management
- Security locking screw



VESA 50x300 to 800x600mm

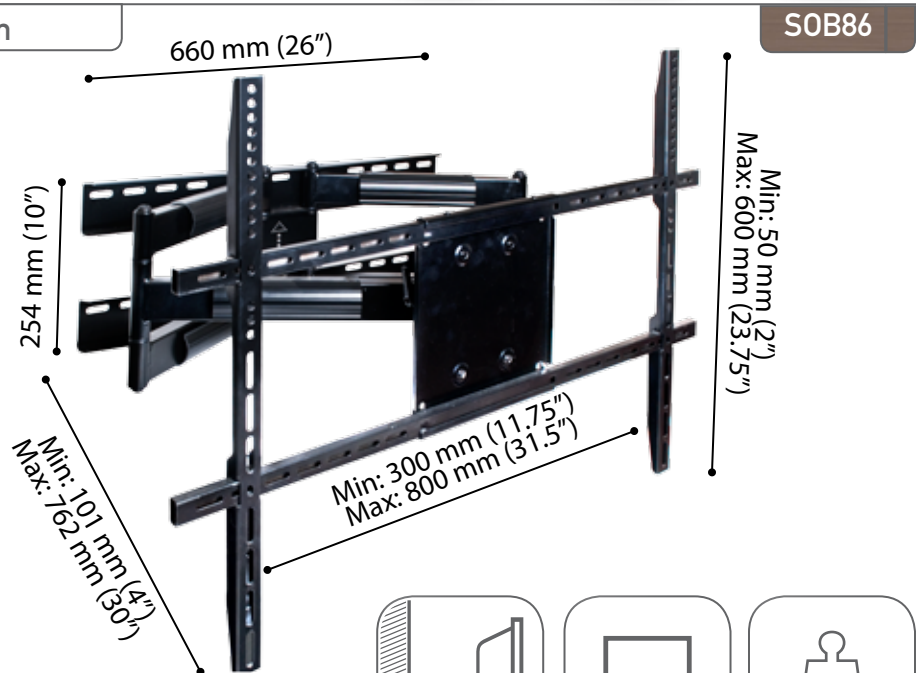
- 19" Wide Wall Plate with **7 Centering Options**
- Dual Arm, Three Pivot Points
- Wire Management



	Swivel ±180°
	Level adjust
	Tilt ±15°

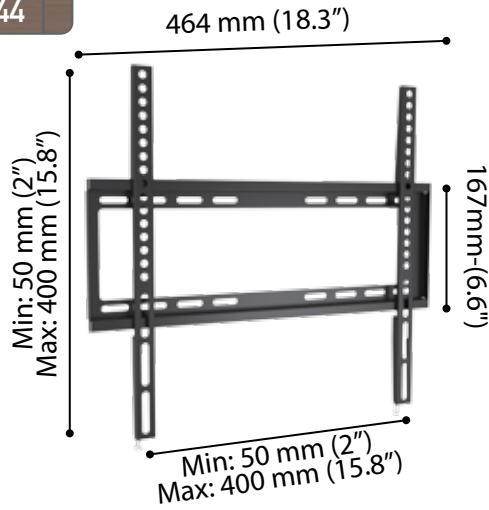
VESA 50x300 to 800x600mm

- **26" Wide Wall Plate**
- Dual Arm, Three Pivot Points
- Wire Management



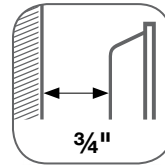
	Swivel ±180°
	Level adjust
	Tilt ±15°

SP44

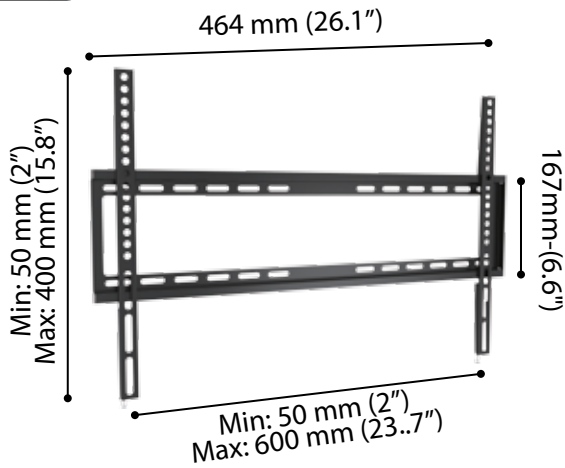


VESA 50×50 to 400×400mm

- Low Profile Plate for Easy Access to In-wall Wiring
- Security Locking Screw

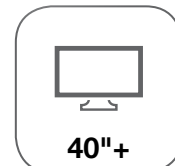
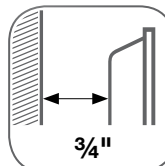


SP64



VESA 50×50 to 600×400mm

- Low Profile Plate for Easy Access to In-wall Wiring
- Security Locking Screw

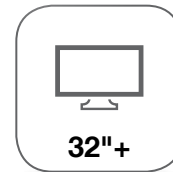
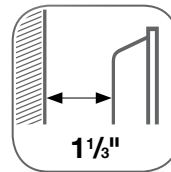
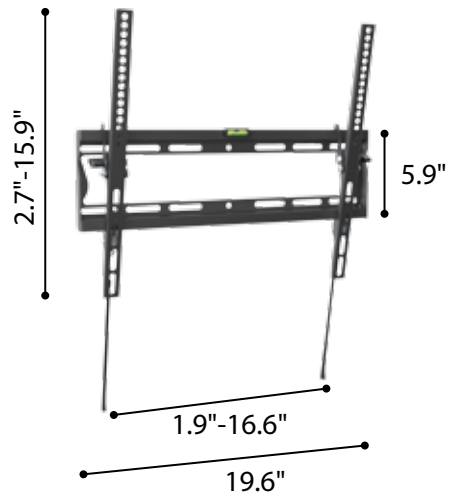




VESA 75x75 to 400x400mm

SPT44

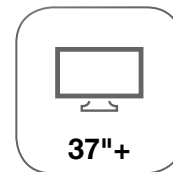
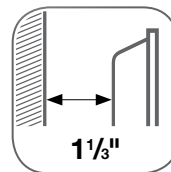
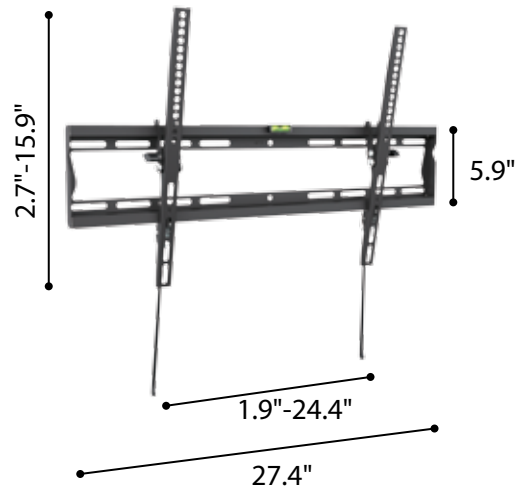
- Low Profile Plate for Easy Access for In-wall Wiring
- Automatically Click-in Spring Lock with Easily-release Cord
- Integrated Bubble Level



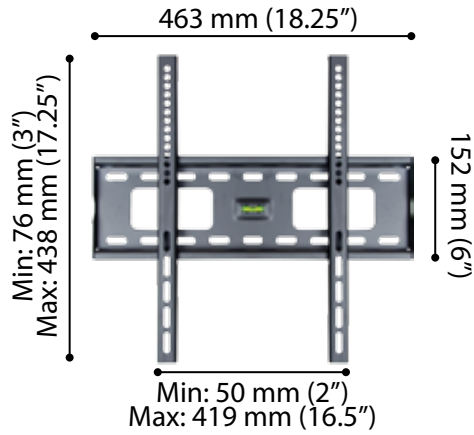
VESA 75x75 to 600x400mm

SPT64

- Low Profile Plate for Easy Access for In-wall Wiring
- Automatically Click-in Spring Lock with Easily-release Cord
- Integrated Bubble Level

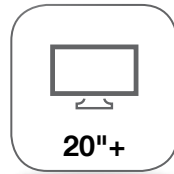
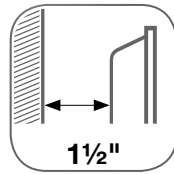


SB44

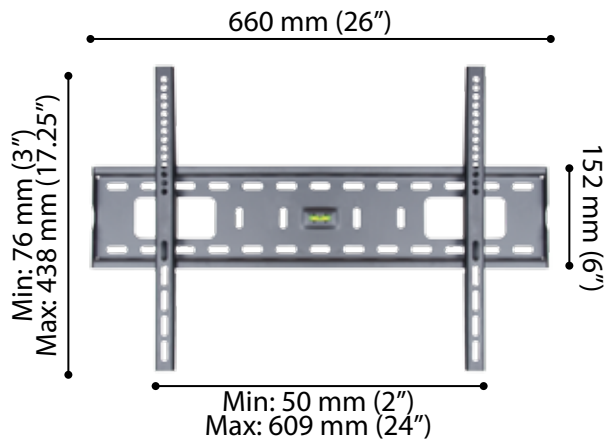


VESA 75×75 to 400×400 mm

- Bubble Level Meter
- Security Locking Screws

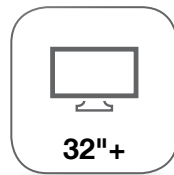
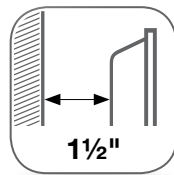


SB64

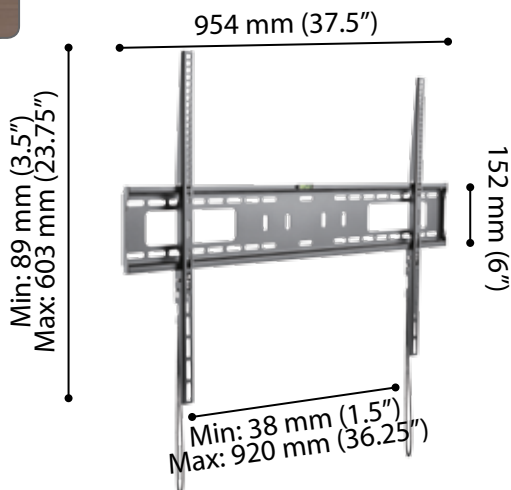


VESA 75×75 to 600×400 mm

- Bubble Level Meter
- Security Locking Screws

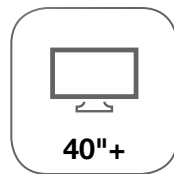
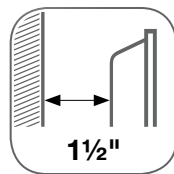


SB96



VESA 75×75 to 900×600 mm

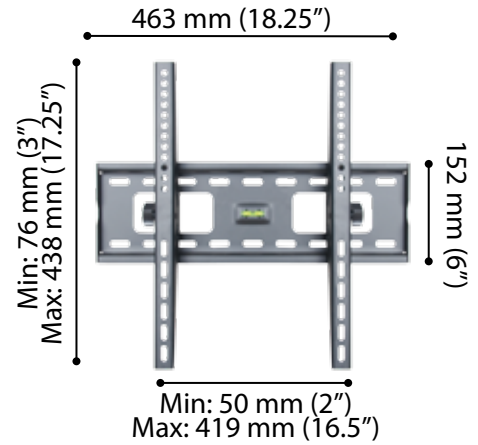
- Bubble Level Meter
- Security Locking Screws



VESA 75x75 to 400x400 mm

SBT44

- Bubble Level Meter
- Security Locking Screws



Tilt

±10°

2½"

20"+

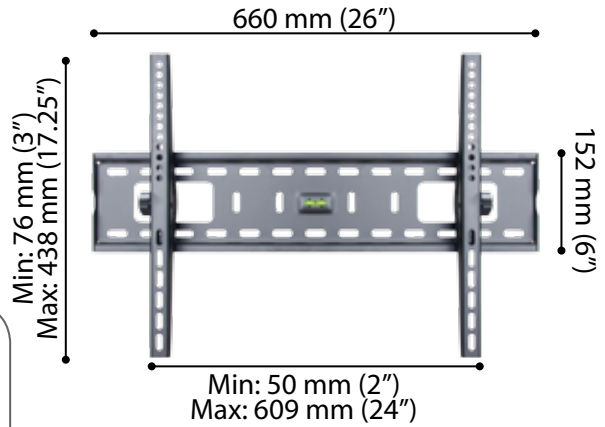
MAX

150 lbs

VESA 75x75 to 600x400 mm

SBT64

- Bubble Level Meter
- Security Locking Screws



Tilt

±10°

2½"

32"+

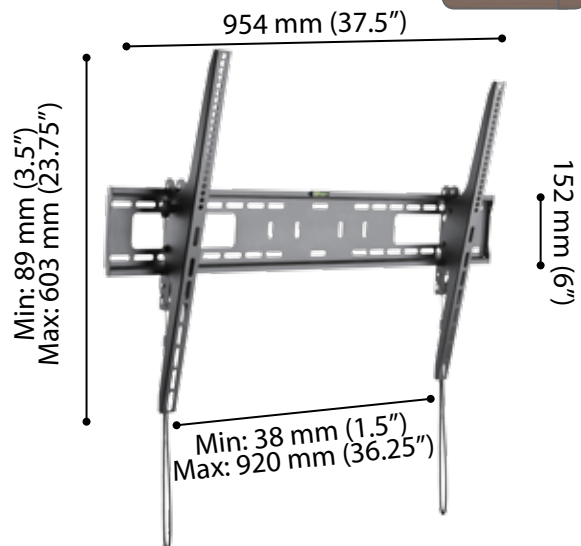
MAX

150 lbs

VESA 75x75 to 900x600 mm

SBT96

- Bubble Level Meter
- Security Locking Screws



Tilt

±5°

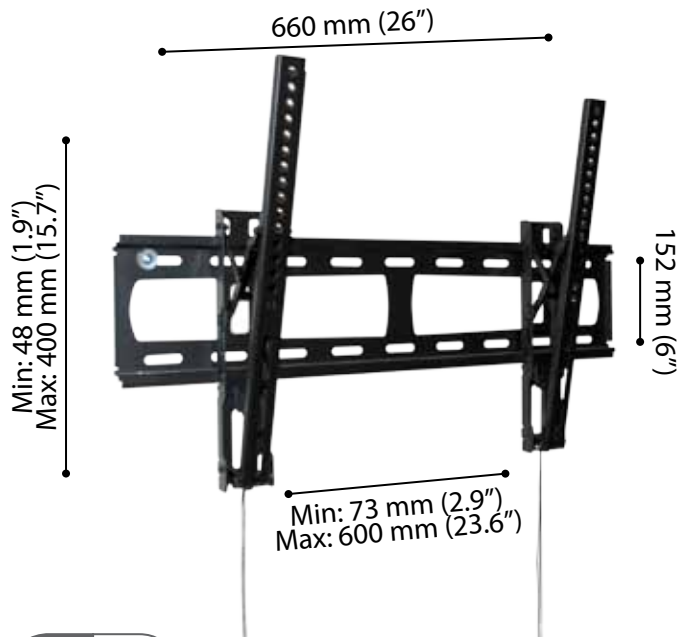
2½"

40"+

MAX

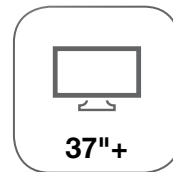
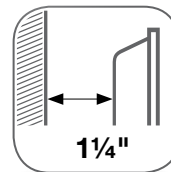
150 lbs

SDT64

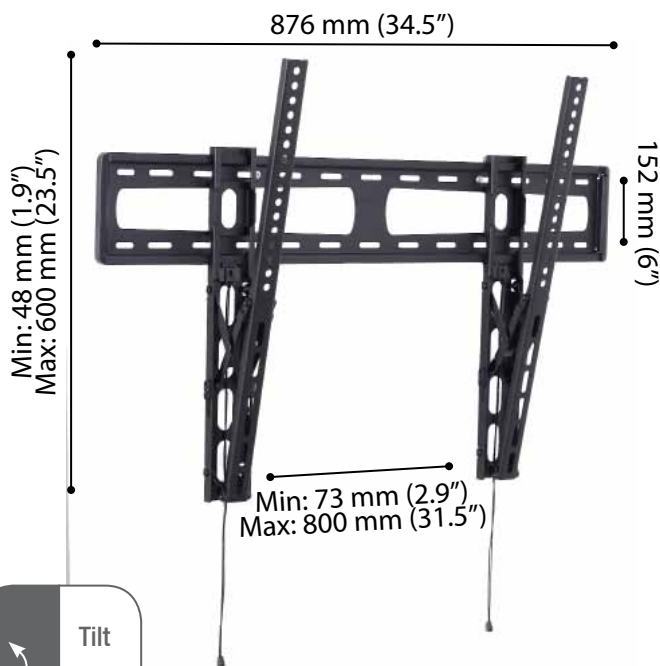


VESA 600x400 mm

- Universal Angle Free Tilt, Wall Bracket
- 1¼" Low Profile Plate
- Easy Access for In-wall Wiring
- cUL approved
- Automatically Click-in Spring Lock with Easily-release Magnetic Cord

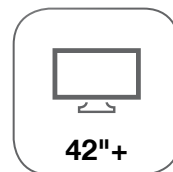
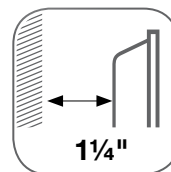


SDT86



VESA 800x600 mm

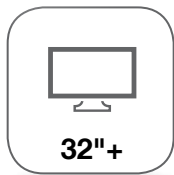
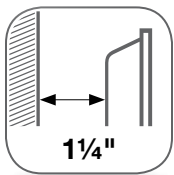
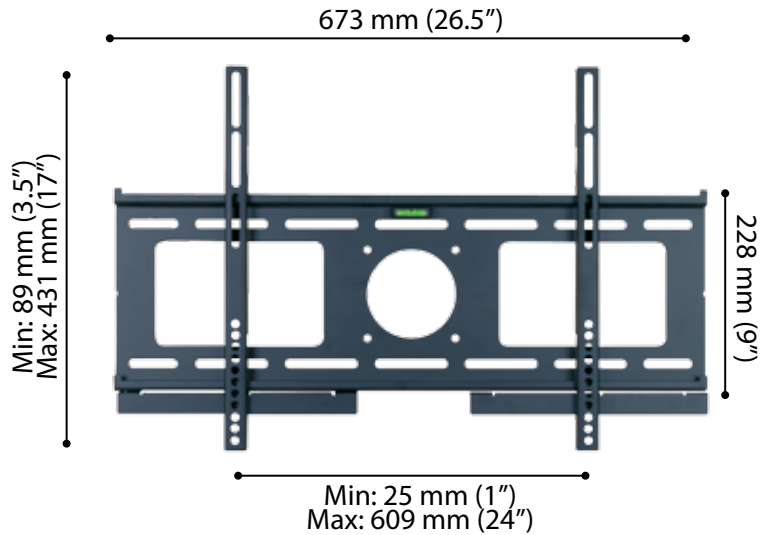
- Universal Angle Free Tilt, Wall Bracket
- 1¼" Low Profile Plate
- Easy Access for In-wall Wiring
- cUL approved
- Automatically Click-in Spring Lock with Easily-release Magnetic Cord



VESA 50x100 to 600x400mm

S064

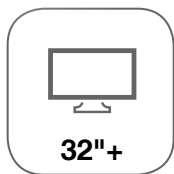
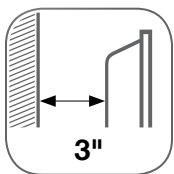
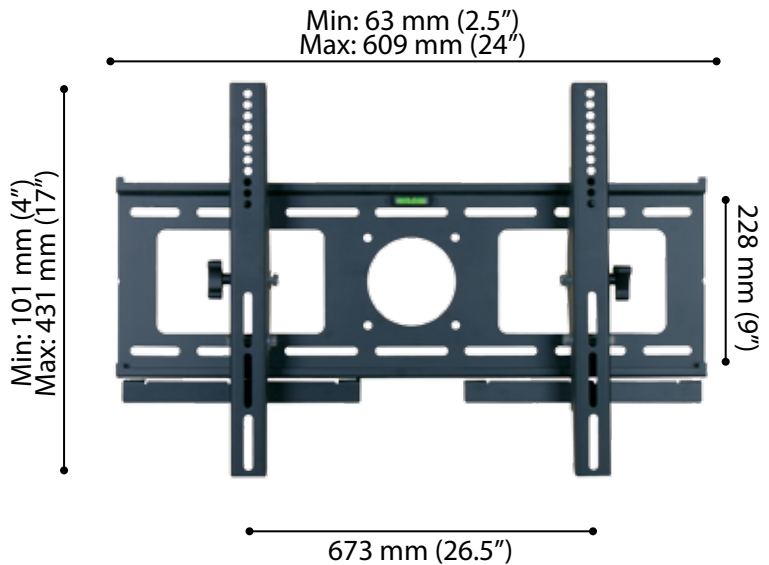
- Bubble Level Meter
- Two Pad Locks Included
- Two Slide Bar Security Fasteners
- Wall and Ceiling Extensions Available



VESA 50x100 to 600x400mm

S0T64

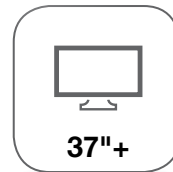
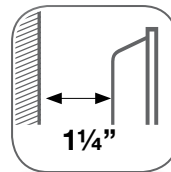
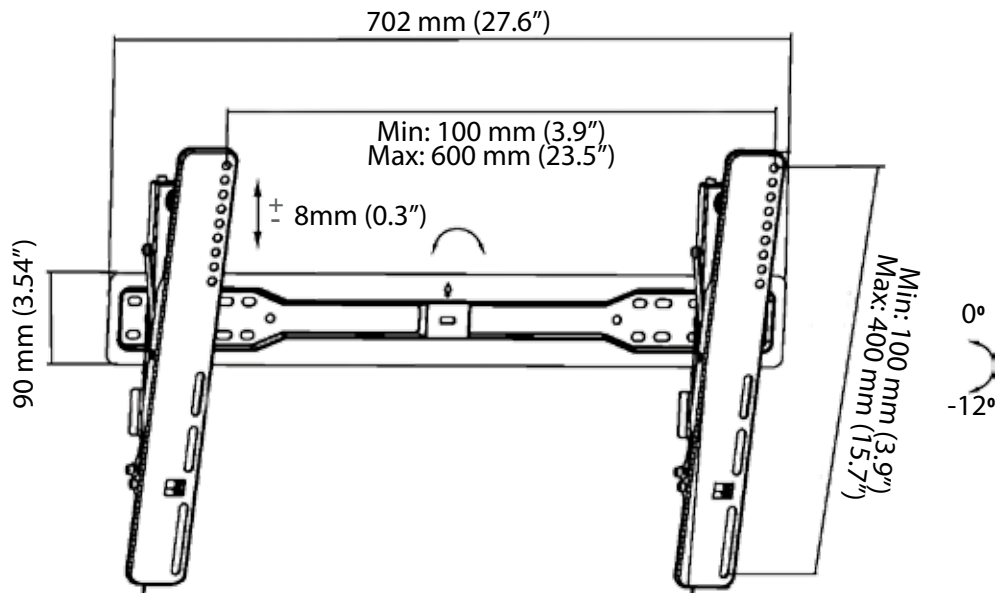
- Bubble Level Meter
- Two Pad Locks Included
- Two Slide Bar Security Fasteners
- Wall and Ceiling Extensions available



SLTA64

VESA 600x400mm

- + - 8mm Horizontal level correction on each arm
- Small wall plate provides room above or below to access in-wall wiring
- 1¼" flush to wall
- Mounting Pattern: From 600 x 400mm
- Automatically click-in spring lock with easy-release cords



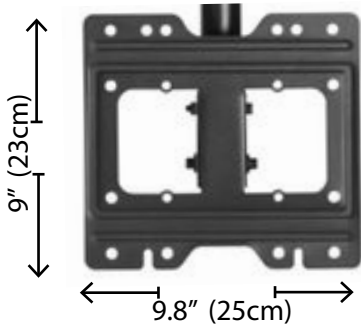


XC1-50-N

- Telescopic Height Adjustment: for optimal viewing height
- Tilting & Swiveling Design: for multiple TV viewing angles
- Cable Management: Neatly hides all TV cables
- Detachable VESA Plate: Enables easy installation

Min 28 1/4" (71.7cm)  
Max 62 1/2" (158.7cm)

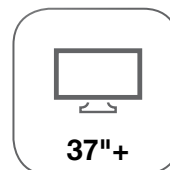
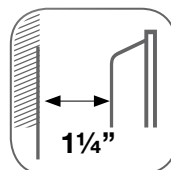
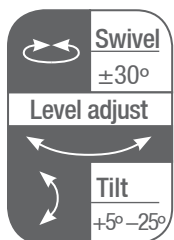
Adjustable Ceiling Plate: For mounting on a flat or sloping ceiling



Vesa 50 x 50 – 200x200 plate included.  
For larger VESA requirements head plate may be adapted with the following Sonora Brackets: S064 and S0T64.

+5°~-25°

±30°

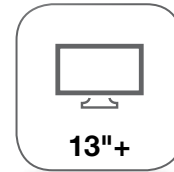
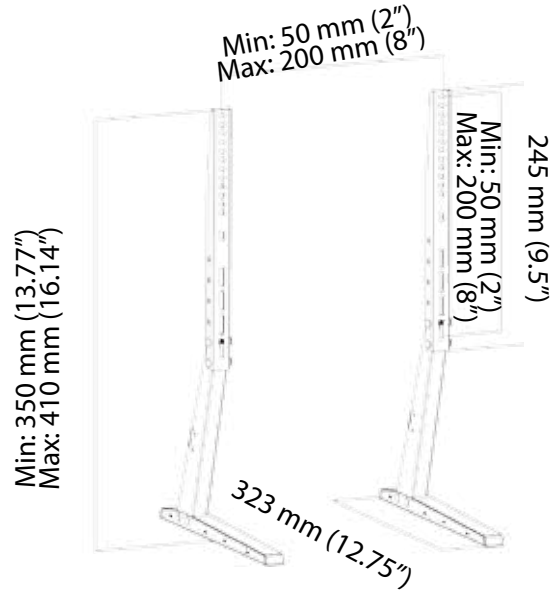


ST22

- Universal TV stand bracket
- 4-Level height adjustment by 1½" increments
- Cable management.



VESA 100×100 to 200×200+ mm

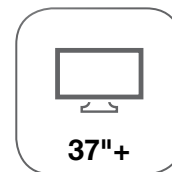
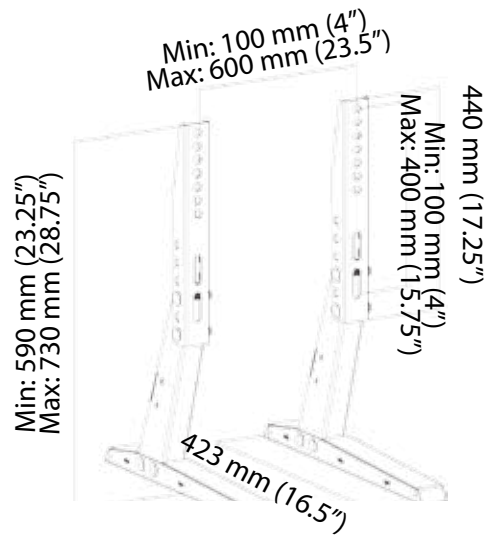


ST64

- Universal TV stand bracket
- 5-Level height adjustment by 1½" increments
- Cable management.



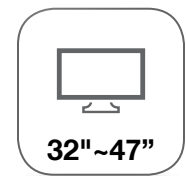
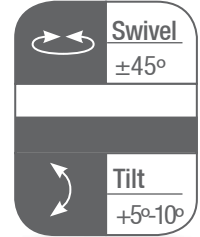
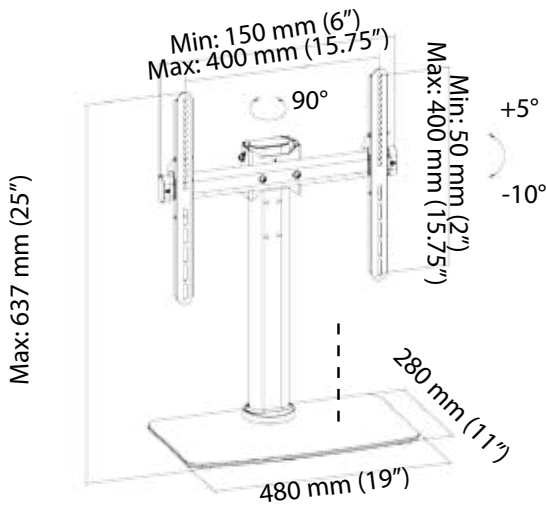
VESA 100×100 to 600+×400 mm



VESA 50×150 to 400×400 mm

STS44

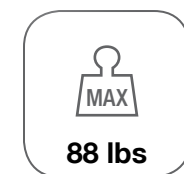
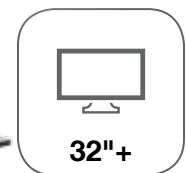
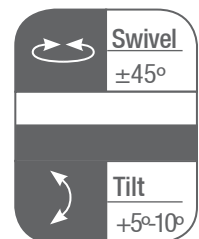
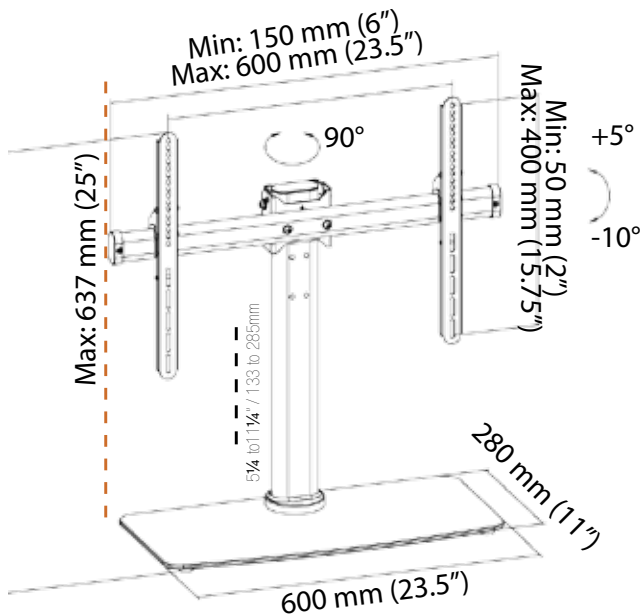
- Universal **swivel and tilt** TV stand bracket
- 3-Level height adjustment by 3" increments
- Elegant glass base
- Security Locking Device
- Cable management



VESA 50×150 to 600×400 mm

STS64

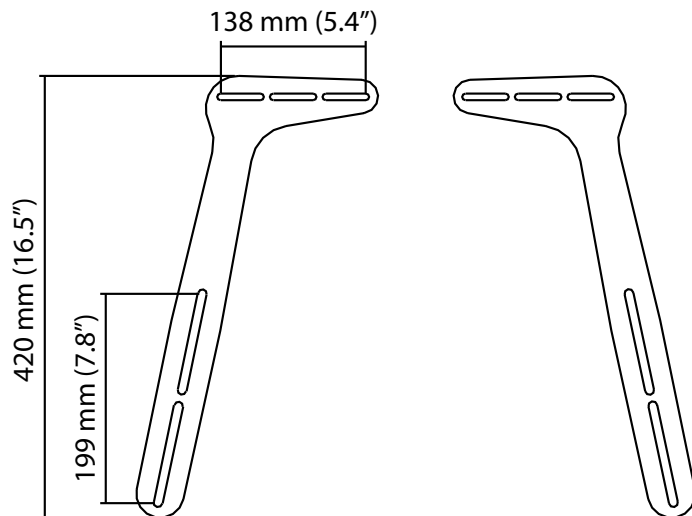
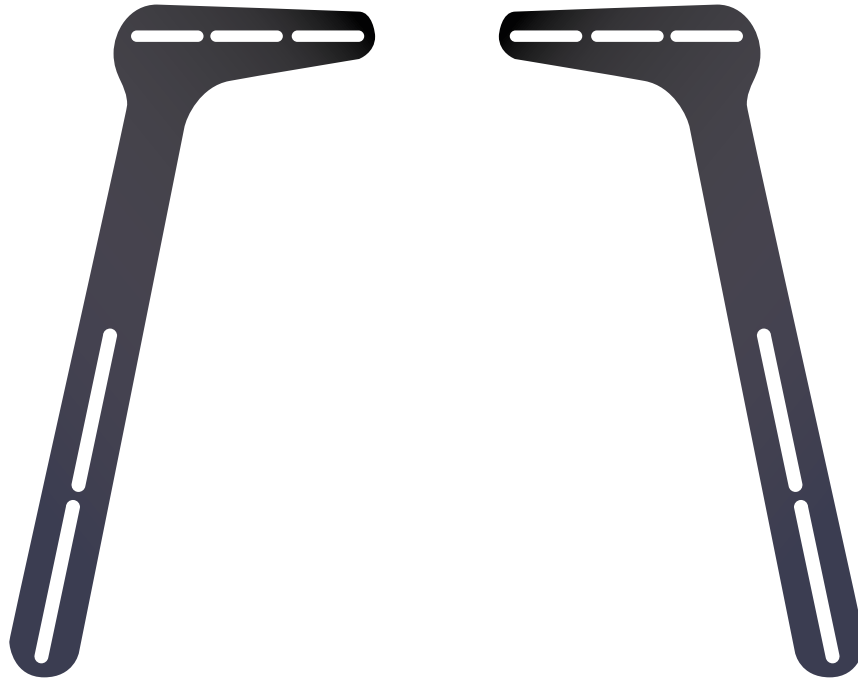
- Universal **swivel and tilt** TV stand bracket
- 3-Level height adjustment by 3" increments
- Elegant glass base
- Security Locking Device
- Cable management



SWBR

VESA 200x100 to 600x400

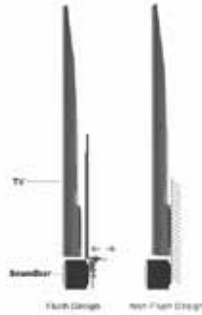
- Can be Mounted Above or Below TV
- Fits with All TV Bracket Types
- Can be mounted on any standard VESA200X100 to 600X400.



VESA 200x200 to 600x400

SWBR2

- Easy installation, no tools required
- Installs on articulating brackets or on its own
- Adjustable depth allows flush mount to the TV
- Above or Below the TV installation
- Fits most sound bar brackets



**Adjustable Depth**

Allows flush mount to the TV



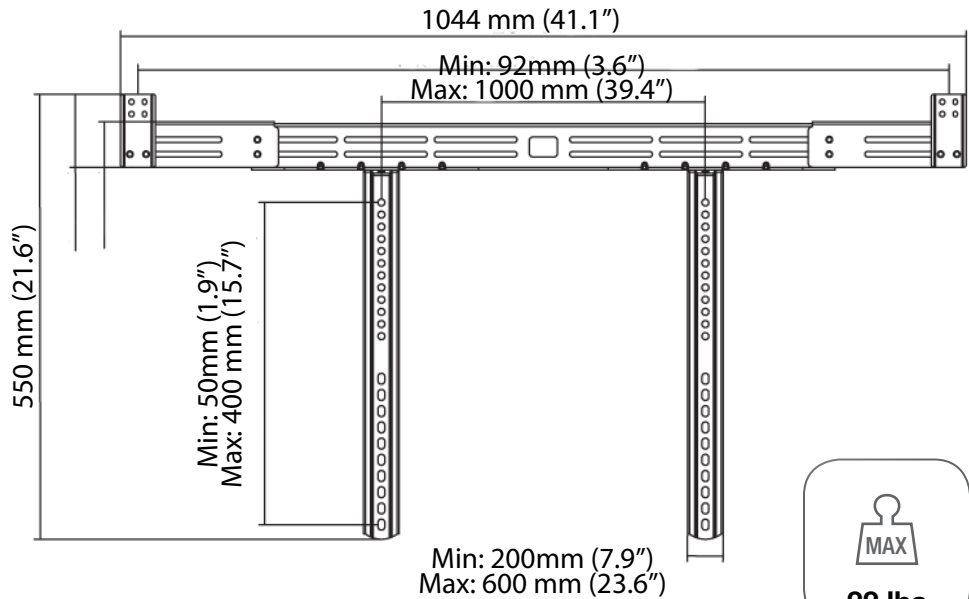
**Two Way Installation**

On its own or with a bracket



**Flexible Installation**

Install above or below the TV



ARC1

VESA 200x200 to 600x400

- Versatile installation options: Mounts to flush, tilt and extendable wall mount brackets.
- Compatible with VESA mounts from 200mm to 600mm Mounting surface covered with an anti-vibration anti-skid foam.
- Two point fastening securely hold speaker to bracket.



When attached to a full motion bracket, swivels and tilts to direct sound optimally.



ARC2

Wall Mount

- Mounting surface covered with an anti-vibration anti-skid foam.
- Two point fastening securely hold speaker to bracket.





VESA 200x200 to 600x400

SB1



**Cable Management**  
Hides and organizes your wires



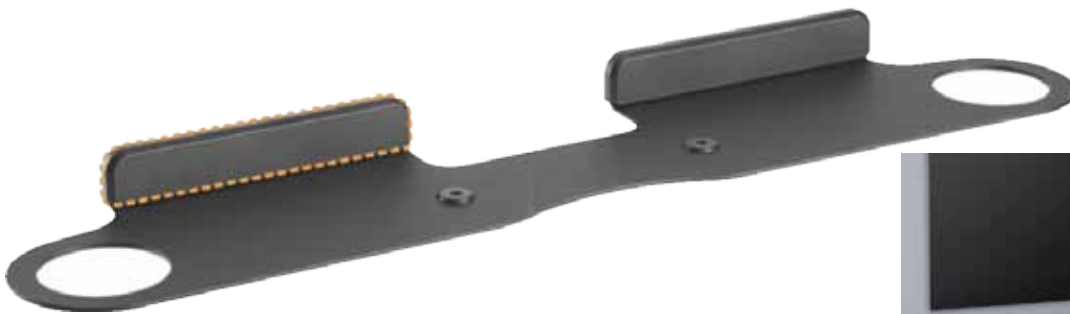
**Tilts and Swivels with your Full-Motion TV Bracket**  
Directs audio directly at the views



Wall Mount

SB2

**Plastic Decorative Covers**  
Protects the rear of the Sonos beam



**Cable Management**  
Hides and organizes your wires



SPONE

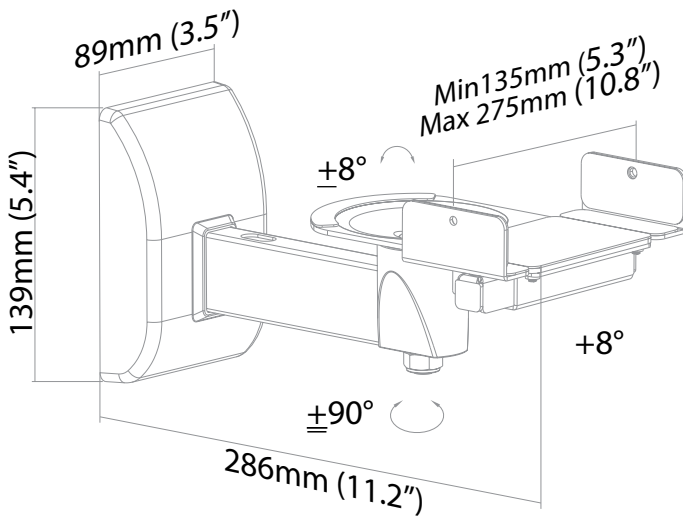
- Easy to install
- Tilts, swivels and positions easily for optimum listening experience.
- Keyhole pattern allows for easy installation
- Cable management hides wires for a professional looking installation



SPFONE

- Easy install for optimal listening positioning
- Securely holds speaker to the stand
- Rubber pads provide a sonic isolation between the stand and floor
- Cable management hides wires for a professional looking installation





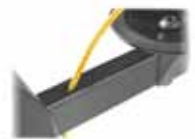
Adjustable bracket fits most common small speaker cabinet sizes.



Effortless 180° swiveling ensures better listening experience.



Effortless tilt mechanism contributes to the quick and easy adjustments



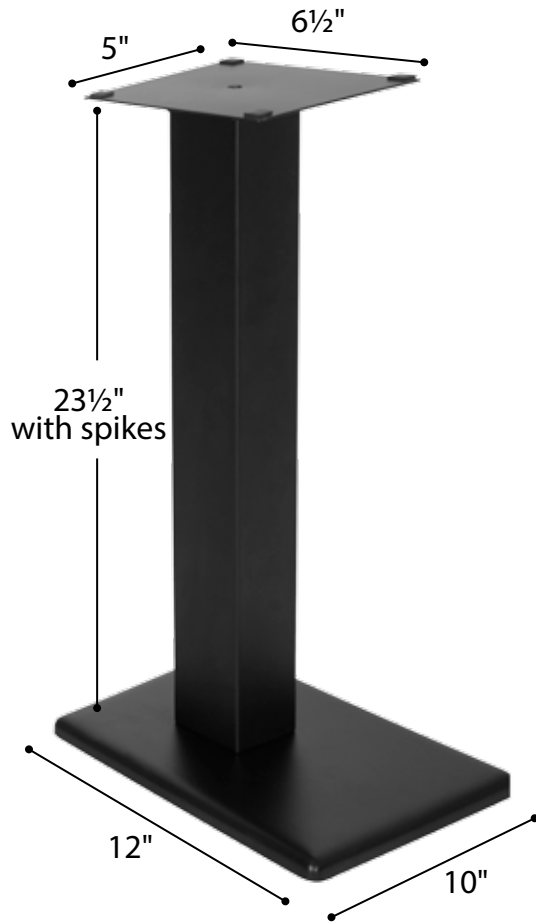
Cable management is designed for an organized appearance.



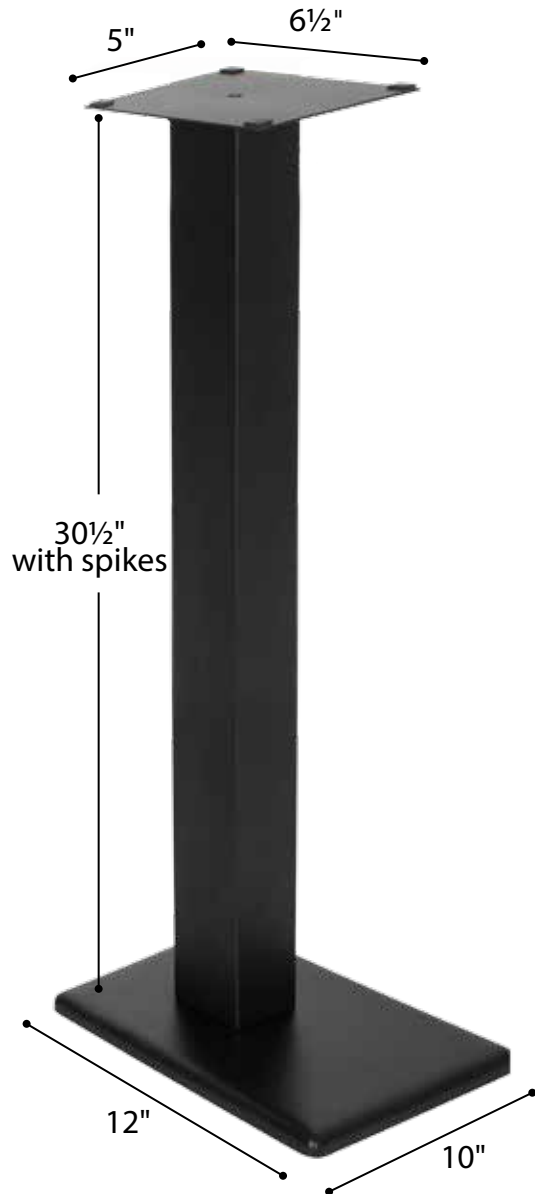
Non-slip padded bracket provides a firm grip while protecting the speaker from scuffs or scratches.



- Adjustable Spikes with Rubber Covers
- Straight or 45° Angle Placement
- Anti Skid Pads
- Wire Management



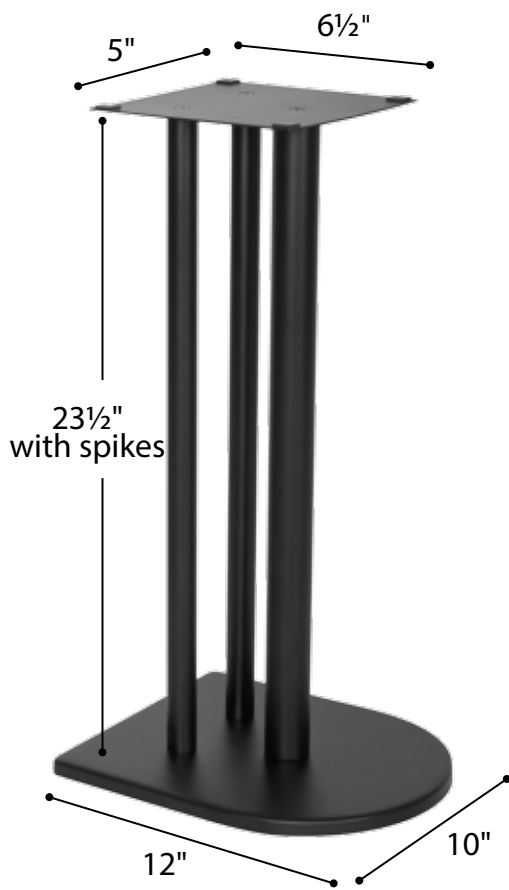
S1M-23



S1M-30

Model	Height	Bottom Plate	Top Plate
S1M-23	23½" with spikes	10"×12"	5"×6½"
S1M-30	30½" with spikes	10"×12"	5"×6½"

- Adjustable Spikes with Rubber Covers
- Anti Skid Pads
- Wire Management



S3M-23

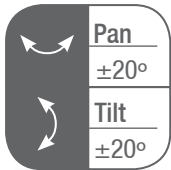
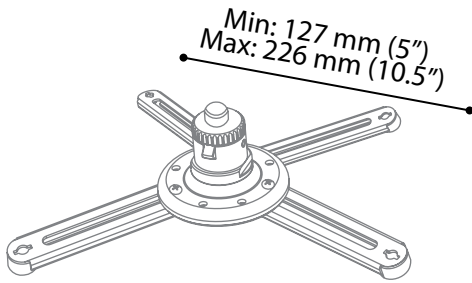


S3M-30

Model	Height	Bottom Plate	Top Plate
S3M-23	23 1/2" with spikes	10" x 12"	5" x 6 1/2"
S3M-30	30 1/2" with spikes	10" x 12"	5" x 6 1/2"

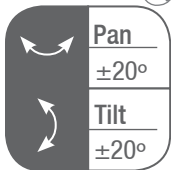
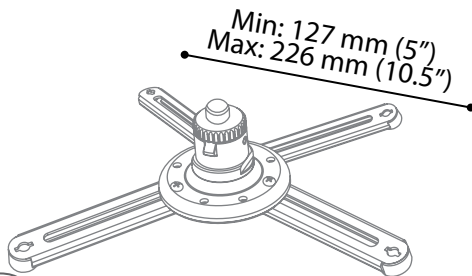
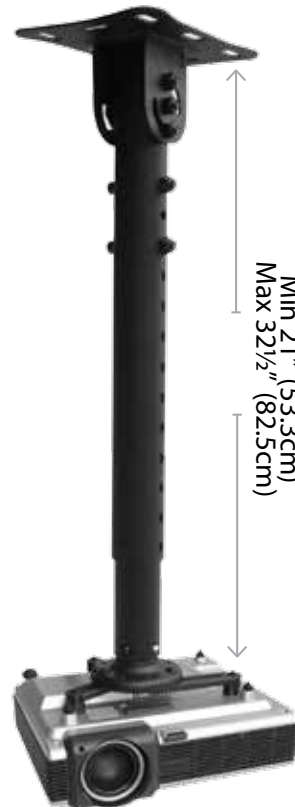
SPM1

- 4 Short and 4 Long Adjustable Mounting Arms
- Easy to Mount
- 3" Fixed Extension



SPM2

- 4 Short and 4 Long Adjustable Mounting Arms
- Easy to Mount
- Telescopic Extension from 21" to 32½" with Integrated Cable Management
- Adjusts up to **45°** for Mounting on Pitched Ceilings



SR-HK

Precision crafted Universal TV Mounting Hardware Kit Wall Mount Screw, Washer, Spacer Set (M4 M5 M6 M8) for TV and Monitor Mount



4 x M8x30



4 x M8x45



4 x M4x14



4 x M5x14



4 x M6x14



4 x M6x30



4 x M6 Washers



4 x M8 Washers



4 x Square Washers



8 x 15mm (0.6x") Large Spacers



8 x 5mm (0.2") Small Spacers